



Microcontroller based wireless control for Future DSM Networks

V.M. Ramaa Priyaa

Asst. Professor, Dept. of E&I, Bharath University, Chennai-600073, India

ABSTRACT: The information collected by a smart meter can be implemented in many applications for a smart grid design. One such area of concern is Non Intrusive Load monitoring (NILM) to aid Demand Side Management (DSM) program. In this paper a system is proposed for optimization of energy consumption in future smart grids based on grid integrated near real time communications between a modified version of smart metering unit and the control grid. The communication protocol IEEE 802.15.4. is used for dedicated message exchange. In addition to it the various shortcomings of the present power management in smart grid are discussed and innovative solutions are suggested.

I. INTRODUCTION

Sometimes there can be a link between two totally different entities belonging to totally different fields. A problem encountered in one field can provide a solution for another. The various technologies developed in communication networking can help to solve various problems in energy management.

One of the main problems currently faced by the energy suppliers is the fluctuations in energy demand, which are expected to be further exacerbated when plug-in electric vehicles become a reality in the near future. In a situation like this, the approach traditionally adopted by the energy supplier is to take the peak consumption into account and create enough reserve energy supply (potentially upgrade existing infrastructure) to meet this uneven energy demand. This is similar to the over-provisioning approach adopted by the communications network service providers. Even though this approach addresses the problem of meeting the demand, it results in inefficiencies by creating a waste in the system since the demand on average is much less than the (estimated) peak energy requirement. Installing power plants to cater for the peak demand is not only expensive, but also may not be practical as the demand often keeps outpacing the supply. In this paper we focus on a coordinated effort to shift the power load from peak to off peak times which will lead to better generator utilization and fewer standby sources of energy which translates into reduced cost to the utility provider and less damage to the environment. The next step is to identify how to determine the demand at the consumer level, distribution system level, and the aggregate demand taking into account all the distribution systems. This requires bi- directional communication mechanisms between the grid and the consumer premises facilitating the consumers to notify their demand requirements to the grid and for the grid to feedback availability/pricing information to the consumers.

Based on the information obtained from the consumer side, the utility providers can ascertain demand per distribution system and hence the aggregate demand. Subsequently, considering the capacity and the demand, the utility provider may identify target operating points for each distribution system. These could then be conveyed to the distribution systems following which the distribution systems could then translate these into individual targets for the consumers connected to it. Such target operating points combined with the consumer preferences could then factor into the decision of load scheduling at the consumer premises. We can look at this problem as one involving balancing the load so as not to exceed the available capacity which is similar to the traffic engineering problem in the Internet where traffic load balancing is analogous to electrical load balancing. We observe parallels between the two problems in that, mechanisms to estimate the demand are analogous to available bandwidth estimation and the concept of a traffic engineering management server spreading traffic across different paths is analogous to the energy management system distributing the available supply appropriately to the different distribution systems. Common to both are concerns of how to share the available capacity amongst the different users/consumers? which could build upon the numerous studies on fairness in the communications networking area.



International Journal of Advanced Research in Electrical, Electronics and Instrumentation Engineering

(An ISO 3297: 2007 Certified Organization)

Vol. 3, Issue 4, April 2014

On a similar note, we observe that the problem of meeting the operating targets assigned to consumers is similar to the resource scheduling problem; essentially how to schedule the different devices within the house so that the net consumption conforms to the operating target. This can be achieved by better utilization of the available resources by simply shifting power demand to the low demand periods thereby leveling the load.

Finally, it may be likely that it is impossible to satisfy the demand in which case the energy supplier may have to resort to controlled (partial) outage. The decision of who does and doesn't encounter outage could be based on the different preferences and priorities of the different consumers depending on their roles in the grid. It is envisaged that the prioritization could be done in a hierarchical manner wherein the consumers are grouped into different service classes at the time of registration (initiation of service). For example, hospitals/emergency services should never encounter outage whenever possible, whereas service to other low priority consumers may be compromised. Load shedding should happen in such a way so that loads are disconnected according to the service classes assigned to them. The consumer in each

service class could further prioritize their appliances according to their preferences which help the scheduler to make scheduling decisions for the consumer in an outage event where the outage can be avoided by merely re-scheduling non-critical loads in the lowest priority service class (e.g. residential). This is analogous to the QoS paradigm in computer networks where some of the traffic is dropped or delayed (using the priority assigned to the packets) due to lack of bandwidth. Different classes of priorities could be assigned to different types of buildings according to their perceived importance. Further, having sub-classes can facilitate more granular load scheduling decisions.

A. Load Admission Control.

One of the popular mechanisms for resource management in the communications networking world is admission control wherein a flow/connection is admitted in the network only if resources are available to serve it. Intuitively, this could be an interesting approach to explore in the context of energy management.

B. Load Scheduling.

There are similarities between the load scheduling problem in smart grids and scheduling and resource allocation problems in communication networks. For example, in Orthogonal Frequency Division Multiple Access (OFDMA) wireless systems, mathematical optimization algorithms are used to determine optimum power allocation and frequency band selection to satisfy different data rate requirements for various users. This has similarities in smart grids where loads need to be allocated to various users at different time slots to optimize resource utilization and to improve energy efficiency. To summarize, the lessons learned and the optimization approaches adopted in communication networks can be used in energy management problems in smart grids. The concept of congestion pricing in Internet traffic control has been applied to smart grid demand response. The burden of load leveling can be shifted from the grid (or supplier) to the end users via this pricing mechanism. This idea has been further extended to distributed electric vehicle charging.

The following paper is organized as follows. In section II we describe the system design and architecture. In section III the salient features of the proposed system are discussed. And we finally conclude the paper in section IV.

II. SYSTEM DESIGN AND ARCHITECTURE

A. Functional layers

The system consists of the following functional layers:

1. Priority line home network.
2. Interface layer between the consumer premises and grid (control centre) i.e. smart metering unit
3. Communication layer
4. Control software and systems in control centre.

B. Hardware

The hardware components required by the system are:

1. A network of priority lines for each group of devices or appliances as preferred by the consumer,
2. A set of control switches or relays which can be operated by a microcontroller A microcontroller operated energy meter. And display devices

International Journal of Advanced Research in Electrical, Electronics and Instrumentation Engineering

(An ISO 3297: 2007 Certified Organization)

Vol. 3, Issue 4, April 2014

3. Wireless communication modem- IEEE 802.15.4 or IEEE 802.11 etc.
4. Control center computer.
5. Software required : MPLAB, visual basic etc

The communication layer acts as an interface between the distribution and control layer. The distribution layer consists of the network in consumer's premises, the smart metering unit, and the wireless transmitter receiver unit. The control layer consists of the control computers and controlling software. Control layer is located in the control centre of the supplier grid.

For demonstration purpose of how the proposed system fits into the smart grid architecture we designed a hybrid system with a modification on the present smart meters in terms of programming and circuit design. The following figures will demonstrate the same

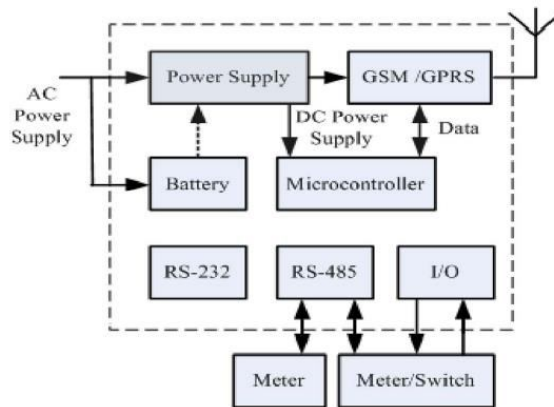


Fig.1. diagram of presently used smart meters

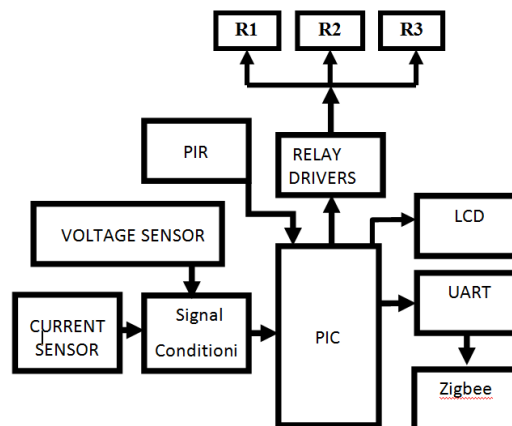


Fig.2. Diagram of new modified smart meter

In the new design we are combining the PIC microcontroller with a network of relay circuit. We are replacing the bulky Energy meter with a Current Transducer and a Voltage transducer which are directly interfaced with the Microcontroller unit via a signal conditioning circuit. This whole circuit is coupled with a wireless communication modem. We are using the IEEE 802.15.4 communication protocol.



ISSN (Print) : 2320 – 3765
ISSN (Online): 2278 – 8875

International Journal of Advanced Research in Electrical, Electronics and Instrumentation Engineering

(An ISO 3297: 2007 Certified Organization)

Vol. 3, Issue 4, April 2014

III. ANALYSIS AND SALIENT FEATURES.

The layer by layer analysis of the system is as follows. The lowest level of the system is the distribution network in the consumer dwelling. The main supply line from the supplier is connected to the home appliances in a parallel network. A solution to have more defined control is by having the main supply line into well defined division of a network of supply lines such that each line



ISSN (Print) : 2320 – 3765
ISSN (Online): 2278 – 8875

International Journal of Advanced Research in Electrical, Electronics and Instrumentation Engineering

(An ISO 3297: 2007 Certified Organization)

Vol. 3, Issue 4, April 2014

statuses of major home appliances. The results will enable homeowners to make sound decisions on how to save energy and how to participate in demand response programs.

B. Control layer.

One of the important topics in power management research is that of Demand Side Management (DSM) when the consumer is included in the power management process the efficiency in implementing the process increases manifold. So by letting the end user participate in the decision making process by letting them to choose and state their preferences, the decision of distribution is shared. As already discussed earlier when the gap between demand and supply is very large and it is impossible to satisfy the demand, the supplier resorts to methods like controlled or partial power outage. A consumer is deprived of electricity for a limited amount of time periodically. The time ranges from a few hours on daily basis to a few days

International Journal of Advanced Research in Electrical, Electronics and Instrumentation Engineering

(An ISO 3297: 2007 Certified Organization)

Vol. 3, Issue 4, April 2014

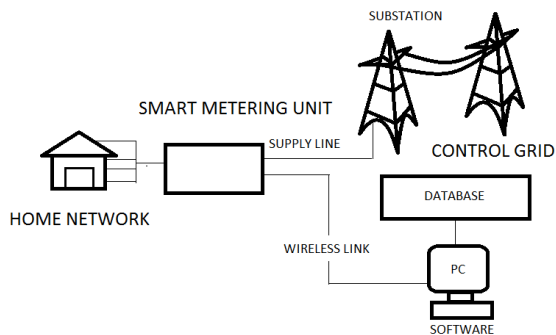


Fig.3 system architecture

carries a fixed amount of load. The option of deciding the range and number division for one house is given to the user. The advantage of these divisions is that it increases the amount of resolution and control of the entire system. A large number of divisions may appear cumbersome but the initial implementation cost is reasonable when compared with the amount of savings.

A. Smart metering unit .

The second layer consists of the Automatic metering unit and wireless communication. This consists of a MCU, USART modem, Current and Voltage Transformers, In Home Displays (IHD) and final control relays on a single compact circuitry. The function of this unit is to gather accurate consumer usage readings, and send this data wirelessly to the concerned control centre. The need for Analog to digital conversion, error detection, modulation of the data signal is handled at the equipment level itself. Finally the data is received by the modem at the control centre. This data represents the complete consumption pattern of the user. Use of this data is to track the energy consumptions and operating

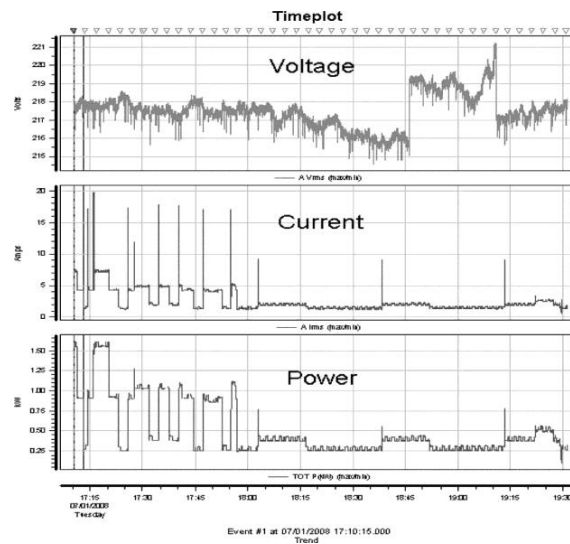


Fig. 4 Real time consumption patterns recorded by smart meter

of outage on weekly basis depending on the availability in the grid. This method is applied to large areas on rotating basis. i.e. suppose a grid supplies around 75MW of power to a region. The requirement of the region is 100 MW. The region is divided into (say) 4 areas: A,B,C and D. Each region requires approx. 25MW. But due to shortage, the grid supplies only 3 areas A, B, C at a time. Area D remains blacked out. After some time the next 3 areas B, C, D are supplied while supply to area A is cut. This method is repeated periodically.

In the proposed system instead of cutting off supply of one area completely, only the supply to the low priority service class is compromised. The low priority supply line chosen by each end user is cut off. Depending on the time of cut off and the shortage of power any number of priority supply lines can be cut off, starting from the lowest priority

lines and the lowest service class. During this period the high priority lines remain active and the consumers can still use their high priority line (basic appliances). So what the system does is instead of shutting down supply to an entire area completely, it reduces the supplied power to the area. So during the period of power outage a consumer can still get a continuous supply. The decision of who does and who does not encounter outage is based on the preferences and priorities of the customer and their respective role in the grid. E.g. hospitals/ emergency services should never encounter outage whenever possible, whereas services to low priority consumer can be compromised.

A. Additional features of NILM.

Load signature is the unique consumption pattern intrinsic to each individual electrical appliance/piece of equipment. Millions of electrical appliances are in operation today. With an increasing number of electronically controlled and automated devices (e.g., washing machines), it is infeasible and impractical to obtain a complete and “personalized” database for all equipment. But, a set of generalized and critical features can be extracted from conventional measurements (e.g., current and voltage waveforms).

International Journal of Advanced Research in Electrical, Electronics and Instrumentation Engineering

(An ISO 3297: 2007 Certified Organization)

Vol. 3, Issue 4, April 2014

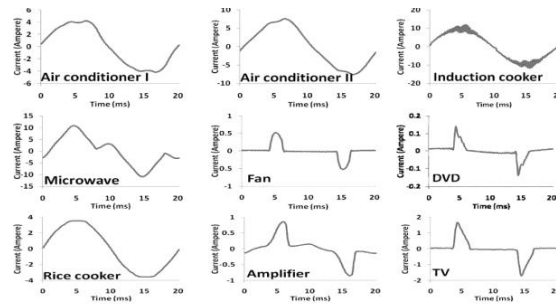


Fig.5. load signatures of individual appliances

In the past decade, researchers at MIT and EPRI have already demonstrated that using the real and reactive power features can track appliance usages and can also be used with higher harmonics for load identification. Through this knowledge, we can explore and develop innovative applications to achieve better utilization of resources and develop more intelligent ways of operation.

NILM needs a customized signature database to realize identification since appliance characteristics are usually different from house to house. Convenient creation of signature database for ordinary householders is really important. By creating a signature database tailed for each home utilizing a device called appliance register. An appliance register is a device inserted between the appliance to be registered and the electric outlet the appliance is plugged in originally. The device contains a current sensor and a wireless transmitter. Once a current change is detected (an event), the device will send a signal to the smart meter (or the device which does appliance identification).

Hence based on the requirement the database can be created using the data collected by the proposed system. The system will enable crucial decision making process of load forecasting of an area for future efficient smart grids.

IV. CONCLUSION

Real-time demand response and management strategies for lowering peak demand and overall load, through appliance control and DSM is proposed in this paper. The communication of the lowest level (end user) to the highest level (grid) is emphasized and a direct wireless control between the two levels is established. Our proposed system provides the flexibility of preference as well as manages to safeguard customer comfort, while encouraging consumers to participate in DSM in a positive way for better power management.

ACKNOWLEDGEMENT

We would like to thank our University for providing the infrastructure to carry out the research, Mrs M. Bharathiselvakumar, H.O.D (dept. of electronics and instrumentation engineering) and our guide Miss. V. Ramapriya and colleagues and friends who supported us throughout the process.

REFERENCES

- [1]. AMI Mesh Networks—A Practical Solution and Its Performance Evaluation, Parag Kulkarni, Sedat Gormus, Zhong Fan, and Filipe
- [2]. A Self-organising Mesh Networking Solution Based on enhanced RPL for Smart Metering Communications Parag Kulkarni, Sedat Gormus, Zhong Fan, Benjamin Motz, Telecommunications Research Laboratory Toshiba Research Europe Ltd., Bristol BS1 4ND, UK
- [3]. Electric power distribution - Wikipedia, the free encyclopedia, Rolling blackout -Wikipedia, the free encyclopedia, www.wikipedia.com
- [4]. AUTOMATION IN POWER DISTRIBUTION, March 1999, Professor Sachchidanand Department Copyright to IJAREEIE www.ijareeie.com 8358



ISSN (Print) : 2320 – 3765
ISSN (Online): 2278 – 8875

International Journal of Advanced Research in Electrical, Electronics and Instrumentation Engineering

(An ISO 3297: 2007 Certified Organization)

Vol. 3, Issue 4, April 2014

- of Electrical Engineering Indian Institute of Technology Kanpur
www.iitk.ac.in/infocell/Archive/dirmar1/power_distribution.html
- [5]. Electricity for All, Transmission Planning for the Growth of India's Power system, power & energy magazine september/october 2007 [6]. A Mesh-Radio-Based Solution for Smart Metering Networks, Toshiba Research Europe Ltd. IEEE Communications Magazine • July 2012
- [7]. Demand Response in Smart Distribution System With Multiple Microgrids IEEE TRANSACTIONS ON SMART GRID, VOL. 3, NO. 4, DECEMBER 2012
- [8]. A Smart Energy Distribution and Management System for Renewable Energy Distribution and Context-aware Services based on User Patterns and Load Forecasting, IEEE Transactions on Consumer Electronics, Vol. 57, No. 2, May 2011
- [9]. Concurrent Simulation Platform for Energy-Aware Smart Metering Systems Transactions on Consumer Electronics, Vol. 56, No. 3, August 2010
- [10]. IEEE TRANSACTIONS ON POWER DELIVERY, VOL. 25, NO. 2, APRIL 2010 551 Load Signature Study—Part I: Basic Concept, Structure, and Methodology
- [11]. IEEE TRANSACTIONS ON SMART GRID, VOL. 3, NO. 2, JUNE 2012 An Event Window Based Load Monitoring Technique for Smart Meters